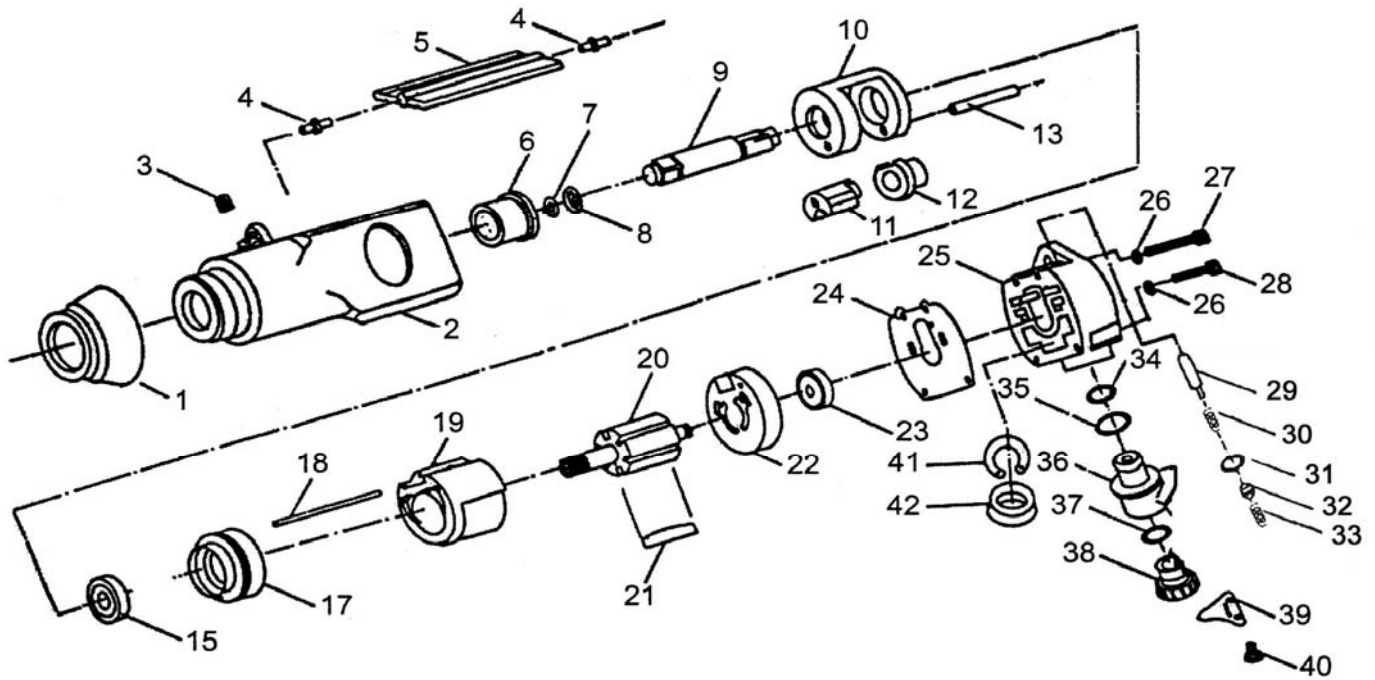




GP1203
CLE A CHOCS 3/8

MAE
 Manche Atlantique Equipements
ZI LE PILAGA
22250 BROONS
 Mail : infos@mae-fr.com



01/12/07

Réf	Désignation	Qté	Réf	désignation	Qté
GP1203R-01	Protection	1	GP1203R-24	Joint	1
GP1203R-02	Corps	1	GP1203R-25	Bloc valve	1
GP1203R-03	Vis	1	GP1203R-26	Rondelle	4
GP1203R-04	Axe	2	GP1203R-27	Vis	2
GP1203R-05	Gâchette	1	GP1203R-28	Vis	2
GP1203R-06	Entretoise	1	GP1203R-29	Axe	2
GP1203R-07	Circlips	1	GP1203R-30	Ressort	2
GP1203R-08	Joint	1	GP1203R-31	Joint	2
GP1203R-09	Broche	1	GP1203R-32	Bille	2
GP1203R-10	Cage de frappe	1	GP1203R-33	Ressort	2
GP1203R-11	Marteau	1	GP1203R-34	Joint	1
GP1203R-12	Came	1	GP1203R-35	Joint	1
GP1203R-13	Axe marteau	1	GP1203R-36	Raccord	1
GP1203R-15	Roulement	1	GP1203R-37	Joint	1
GP1203R-17	Flasque avt	1	GP1203R-38	Variateur	1
GP1203R-18	Axe	1	GP1203R-39	Plaque	1
GP1203R-19	chemise	1	GP1203R-40	Vis	2
GP1203R-20	Rotor	1	GP1203R-41	Circlips	1
GP1203R-21	Palette	6	GP1203R-42	Joint	1
GP1203R-22	Flasque arr	1			
GP1203R-23	Roulement	1			