

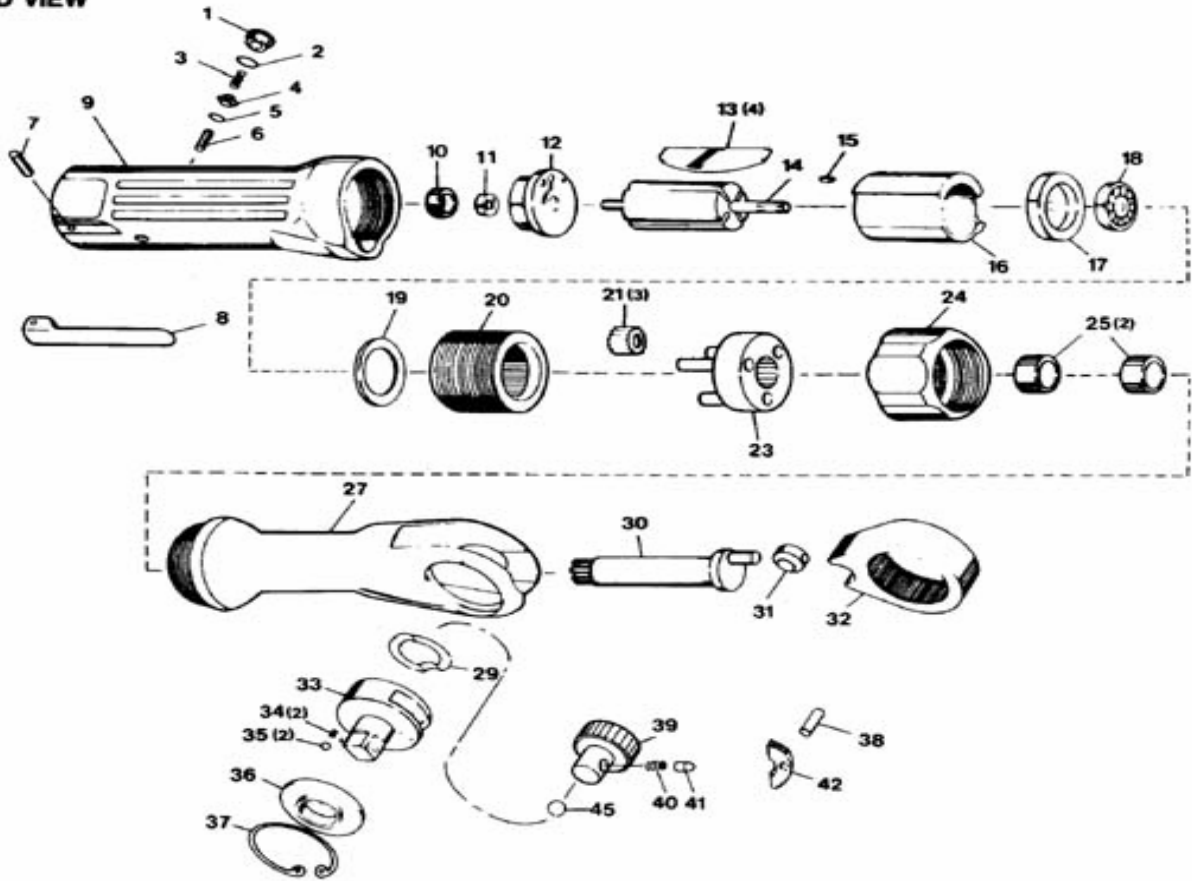


GP1965/GP1966

CLE A ROCHET 3/8 OU 1/2

MAE
 Manche Atlantique Equipements
ZI LE PILAGA
22250 BROONS
 Mail : infos@mae-fr.com

EXPLODED VIEW



INDEX No.	DESCRIPTION	QTE	INDEX No.	DESCRIPTION	QTE
GP1966-1	Valve screw	1	GP1966-24	Clamp nut	1
GP1966-2	O ring	1	GP1966-25	Bush	2
GP1966-3	Spring	1	GP1966-27	Ratchet housing	4
GP1966-4	Throttle valve	1	GP1966-29	Spacer	1
GP1966-5	O ring	1	GP1966-30	crank shaft	1
GP1966-6	Plunger	1	GP1966-31	Drive bushing	1
GP1966-7	Throttle lever pin	1	GP1966-32	Yoke	1
GP1966-8	Throttle lever	1	GP1966-33	Ratchet anvil 1/2	1
GP1966-9	Housing	1	GP1965-33	Ratchet anvil 3/8	1
GP1966-10	Bearing cap	1	GP1966-34	Spring	2
GP1966-11	Ball bearing	1	GP1966-35	Steel ball	2
GP1966-12	Rear en plate	1	GP1966-36	Thrust washer 1 /2	1
GP1966-13	Rotor blade	4	GP1965-36	Thrust washer 3/8	1
GP1966-14	Rotor	1	GP1966-37	Retaining ring	1
GP1966-15	Cylinder pin	1	GP1966-38	Ratchet pin	1
GP1966-16	cylinder	1	GP1966-39	Reverse button 1 /2	1
GP1966-17	Front end plate	1	GP1965-39	Reverse button 3/8	1
GP1966-18	Ball bearing	1	GP1966-40	Ratchet spring	1
GP1966-19	Washer	1	GP1966-41	Lock pin	1
GP1966-20	Internal gear	1	GP1966-42	Ratchet pawl	1
GP1966-21	Planet gear	3	GP1966-43	Steel ball	1
GP1966-23	Planet cage with pin	1			