



GP 1521P (PL)

CLE A CHOCS 1"

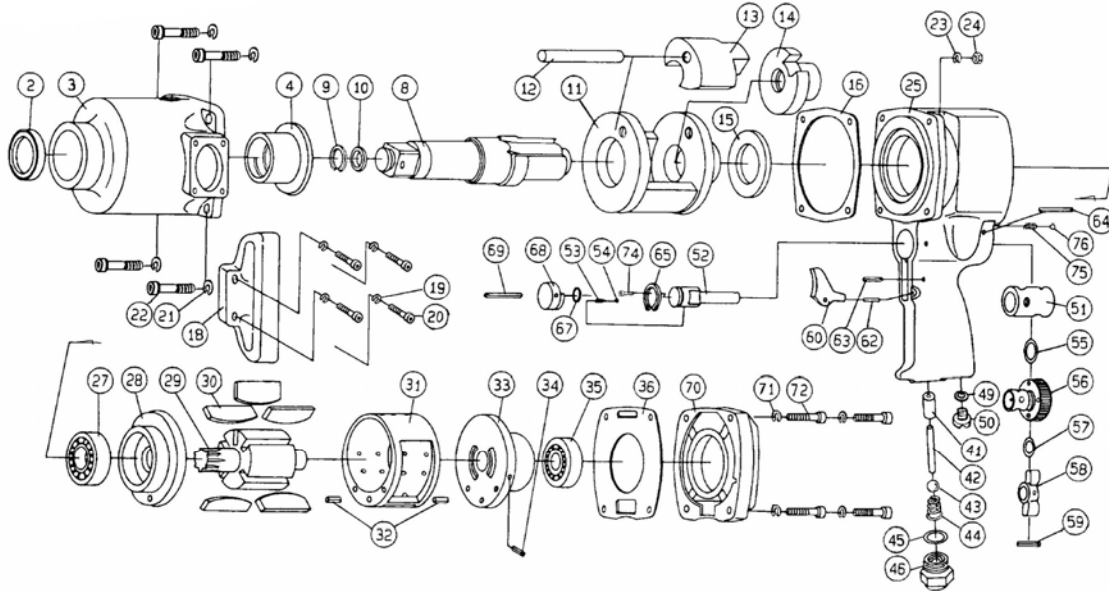
MAE

Manche Atlantique Equipements

ZI LE PILAGA

22250 BROONS

Mail : infos@mae-fr.com



INDEX No.	DESCRIPTION	QTE	INDEX No.	DESCRIPTION	QTE
GP1521P-2	Oil Seal	1	GP1521P-37	Rear Protect Rubber	1
GP1521P-3A	Hammer Case Assembly (No.2~No.4)		GP1521P-38	Screw	2
GP1521P-3	Hammer Case	1	GP1521P-41	Throttle Bushing	1
GP1521P-4	Hammer Case Bushing	1	GP1521P-42	Throttle Pin	1
GP1521P-5	Thrust Washer	1	GP1521P-43	Throttle Valve	1
GP1521P-6	Side Plate	1	GP1521P-44	Throttle Spring	1
GP1521P-8	Anvil	1	GP1521P-45	O-Ring	1
GP1521PL 8	8" Anvil	1	GP1521P-46	Inlet Bushing	1
GP1521P-11	Hammer Frame	1	GP1521P-47	Hex.Cap Bolt	2
GP1521P-12	Pin Hammer	1	GP1521P-48	Stopper	1
GP1521P-14	Driver	1	GP1521P-49	O-Ring	1
GP1521P-15	Spacer	1	GP1521P-50	Oil Plug Screw	1
GP1521P-16	Hammer Case Packing	1	GP1521P-51	Valve Bushing	1
GP1521P-17	Front Protect Rubber	1	GP1521P-52	Reverse Valve	1
GP1521P-18	D-Handle	1	GP1521P-53	Spring	1
GP1521P-19	Spring Washer (for D-Handle)	4	GP1521P-54	Steel Ball	1
GP1521P-20	Hex.Cap Bolt (for D-Handle)	4	GP1521P-55	O-Ring	1
GP1521P-21	Spring Washer	4	GP1521P-56	Adjust Valve	1
GP1521P-22	Hex.Cap Bolt	4	GP1521P-57	O-Ring	1
GP1521P-23	Spring Washer	4	GP1521P-58	Reverse Lever	1
GP1521P-24	Hex.Nut (for Motor Case)	4	GP1521P-59	Spring Pin	1
GP1521P-25A	Motor Case Assy		GP1521P-60	Throttle Lever	1
GP1521P-25	Motor Case	1	GP1521P-62	Spring Pin	1
GP1521P-27	Ball Bearing	1	GP1521P-63	Needle Pin	1
GP1521P-28	Front End Plate	1	GP1521P-64	Spring Pin	1
GP1521P-29	Rotor	1	GP1521P-65	Stop Ring	1
GP1521P-30	Vane	6	GP1521P-67	Screw	2
GP1521P-31A	Cylinder Assembly (No.31,No.32)		GP1521P-68	Exhaust Cover	1
GP1521P-31	Cylinder	1	GP151P-70	Case Cover	1
GP1521P-32	Spring Pin	2	GP1521P-71	Spring Washer	4
GP1521P-33A	Rear End Plate Assembly (No.33,No.34)		GP1521P-72	Hex.Cap Bolt	4
GP1521P-33	Rear End Plate	1	GP1521P-74	Spring Pin	1
GP1521P-34	Spring Pin	1	GP1521P-75	Spring	1
GP1521P-35	Ball Bearing	1	GP1521P-76	Steel Ball	1
GP1521P-36	Motor Case Packing	1			