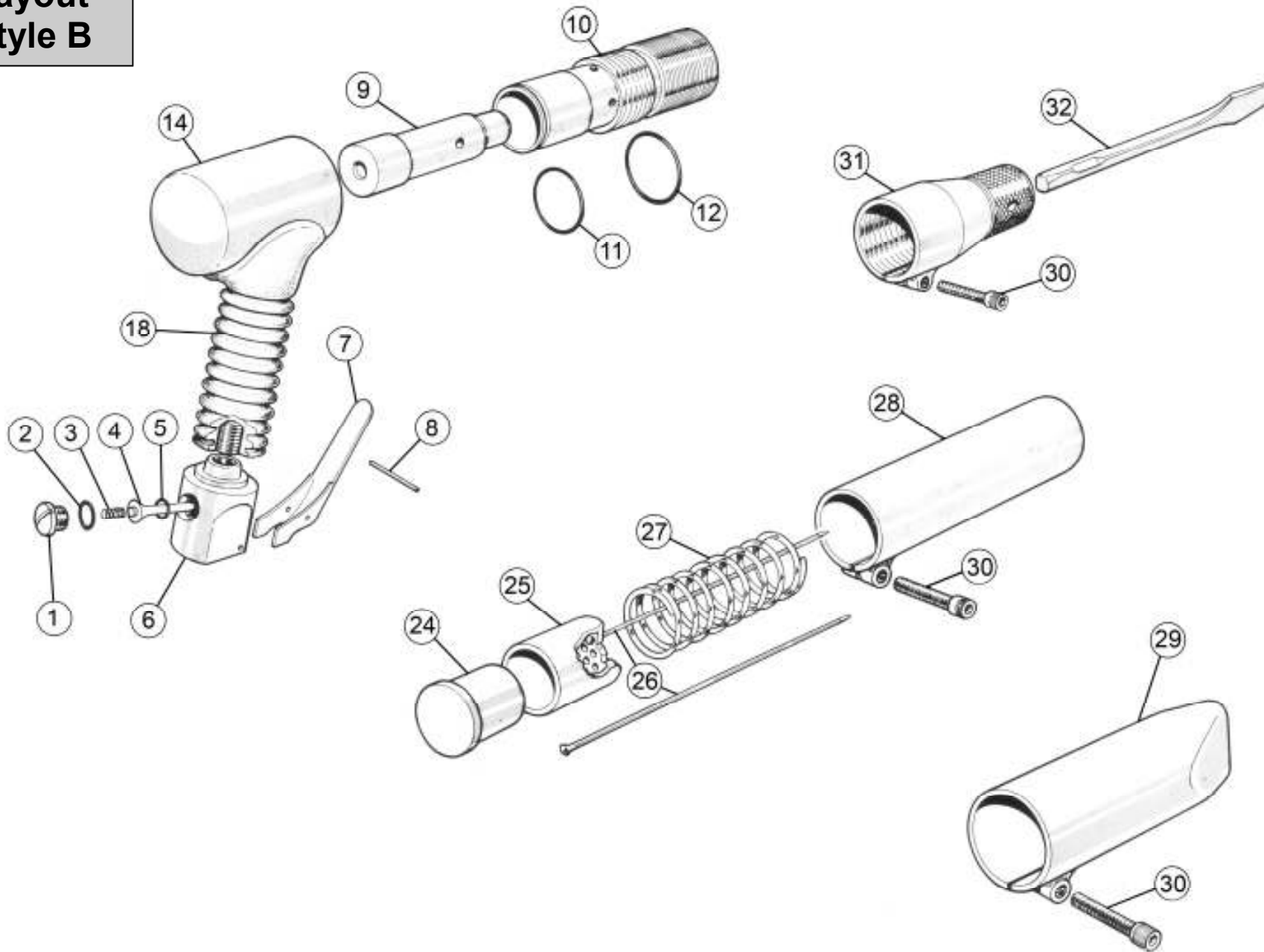


Service
Layout
Style B

2BPG & 3BPG PISTOL GRIP NEEDLE & CHISEL SCALER

Service
Layout
Style B



EXPLODED VIEW

2BPG & 3BPG PARTS LIST

Item	Part No	Description	Item	Part No	Description
Common Components			2BPG Unique Components		
1	615.3021	Valve Cap	9	612.2001	Piston
2	809.0139	O' Ring – Valve Cap	10	613.2101	Cylinder
3	712.3022	Valve Spring	11	809.0249	O'Ring (Small Dia)
4	618.3022	Valve Stem	12	809.0269	O'Ring (Large Dia)
5	809.0089	O' Ring – Valve Seat	13	425.2100	Cover
7	716.3000	Throttle Lever	24	610.2001	Anvil
8	813.0108	Roll Pin	25	601.2002	Needle Holder 2mm
26	442.1107	Pack of 2000 2mm Needles (Flat Tip)		601.2003	Needle Holder 3mm
	452.1110	Pack of 100 2mm Needles (Flat Tip)	26	412.1151	6 x Needle Sets 2mm (Flat Tip)
	443.2107	Pack of 1000 3mm Needles (Chisel Tip)		413.2119	6 x Needle Sets 3mm (Chisel Tip)
	443.1107	Pack of 1000 3mm Needles (Flat Tip)		413.1119	6 x Needle Sets 3mm (Flat Tip)
	443.3107	Pack of 1000 3mm Needles (Pointed Tip)		413.3119	6 x Needle Sets 3mm (Pointed Tip)
	443.1307	Pack of 500 3mm Needles (Beryllium Copper)		403.1319	1 x Needle Set 3mm (Beryllium Copper - Flat Tip)
	453.2110	Pack of 100 3mm Needles (Chisel Tip)	27	712.2001	Spring - Compression
	453.1110	Pack of 100 3mm Needles (Flat Tip)	28	416.2032	Intermediate Tube (Includes item 30)
	453.3110	Pack of 100 3mm Needles (Pointed Tip)	29	417.2032	Straight Front Tube (Includes item 30)
	453.1310	Pack of 100 3mm Needles (Beryllium Copper)		418.2032	Round Front Tube (Includes item 30)
			30	806.0830	Cap Head Screw
	444.1107	Pack of 500 4mm Needles (Flat Tip)	31	419.2241	Chisel Holder 1/2" Square
	444.3107	Pack of 500 4mm Needles (Pointed Tip)		446.1025	Service Kit (Inc. 9,17,24,25,27 & 1 Set Needles)
	454.1105	Pack of 50 4mm Needles (Flat Tip)			
	454.3105	Pack of 50 4mm Needles (Pointed Tip)	3BPG Unique Components		
32	704.1101	Chisel 1/2" Square 7" Long x 3/4" Blade	9	612.3001	Piston
	704.1103	Chisel 1/2" Square 7" Long x 2 3/4" Blade	10	613.3101	Cylinder
	704.1104	Chisel 1/2" Square 7" Long x Round Nose Blade	11	809.0289	O'Ring (Small Dia)
	704.1105	Chisel 1/2" Square 10" Long x 2 1/2" Blade	12	809.0299	O'Ring (Large Dia)
	704.1106	Chisel 1/2" Square Brick Rake	13	425.3100	Cover
	704.1107	Chisel 1/2" Square 10" Long x 3/4" Blade	24	610.3001	Anvil
	704.1110	Chisel 1/2" Square 7" Long Spark Resistant 2" Blade	25	601.3002	Needle Holder 2mm
	704.1112	Chisel 1/2" Square 7" Long x Moil Point		601.3003	Needle Holder 3mm
	704.2105	Chisel 1/2" Square 7" Long Cranked x 1 3/8" Blade	26	412.1165	6 x Needle Sets 2mm (Flat Tip)
				413.2128	6 x Needle Sets 3mm (Chisel Tip)
				413.1128	6 x Needle Sets 3mm (Flat Tip)
				413.3128	6 x Needle Sets 3mm (Pointed Tip)
				403.1328	1 x Needle Set 3mm (Beryllium Copper - Flat Tip)
	Extras		27	712.3001	Spring - Compression
	719.1000	3/8" Bore Hose 10 Metre	28	416.3132	Intermediate Tube (Includes item 30)
	719.3000	3/8" Bore Hose 30 Metre	29	417.3032	Straight Front Tube (Includes item 30)
	805.0601	6mm Allen Key for Caphead Screws		418.3032	Round Front Tube (Includes item 30)
	819.2375	Adapter 1/4" BSP to 3/8" Hose Stem	30	806.0830	Cap Head Screw
			31	419.3341	Chisel Holder 1/2" Square
				419.3541	Chisel Holder 5/8" Hexagon
				446.1035	Service Kit (Inc. 9,17,24,25,27 & 1 Set Needles)