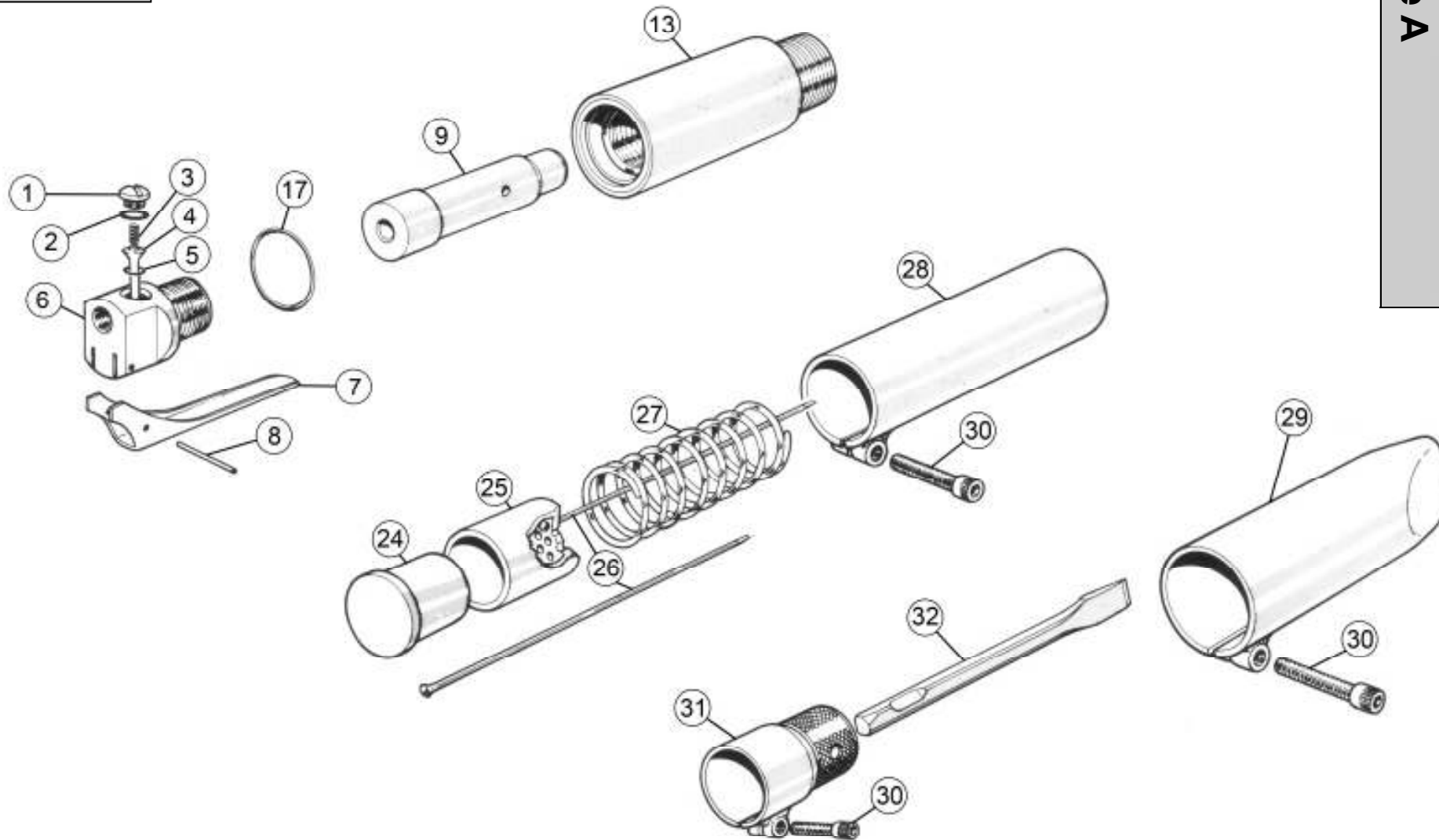


Service
Layout
Style A

1B & 2B INLINE NEEDLE, CHIPPER & CHISEL SCALER

Service
Layout
Style A



EXPLODED VIEW

1B & 2B PARTS LIST

Item	Part No	Description	Item	Part No	Description
Common Components			1B Unique Components		
1	615.3021	Valve Cap	7	716.3021	Throttle Lever
2	809.0139	O' Ring – Valve Cap	9	612.1001	Piston
3	712.3022	Valve Spring	13	411.1002	Body
4	618.3022	Valve Stem	17	809.0249	O'Ring
5	809.0089	O' Ring – Valve Seat	24	610.1001	Anvil
8	813.0108	Roll Pin	25	601.1002	Needle Holder 2mm
26	442.1107	Pack of 2000 2mm Needles (Flat Tip)		601.1003	Needle Holder 3mm
	452.1110	Pack of 100 2mm Needles (Flat Tip)	26	412.1129	6 x Needle Sets 2mm (Flat Tip)
	443.2107	Pack of 1000 3mm Needles (Chisel Tip)		413.2112	6 x Needle Sets 3mm (Chisel Tip)
	443.1107	Pack of 1000 3mm Needles (Flat Tip)		413.1112	6 x Needle Sets 3mm (Flat Tip)
	443.3107	Pack of 1000 3mm Needles (Pointed Tip)		413.3112	6 x Needle Sets 3mm (Pointed Tip)
	443.1307	Pack of 500 3mm Needles (Beryllium Copper)		403.1312	1 x Needle Set 3mm (Beryllium Copper - Flat Tip)
	453.2110	Pack of 100 3mm Needles (Chisel Tip)	27	712.1001	Spring - Compression
	453.1110	Pack of 100 3mm Needles (Flat Tip)	28	416.1032	Intermediate Tube (Includes item 30)
	453.3110	Pack of 100 3mm Needles (Pointed Tip)	29	417.1032	Straight Front Tube (Includes item 30)
	453.1310	Pack of 100 3mm Needles (Beryllium Copper)		418.1032	Round Front Tube (Includes item 30)
	444.2107	Pack of 500 4mm Needles (Chisel Tip)	30	806.0825	Cap Head Screw
	444.1107	Pack of 500 4mm Needles (Flat Tip)	31	419.1241	Chisel Holder 1/2" Square
	444.3107	Pack of 500 4mm Needles (Pointed Tip)		446.1010	Service Kit (Inc. 9,17,24,25,27 & 1 Set Needles)
	454.2105	Pack of 50 4mm Needles (Chisel Tip)			
	454.1105	Pack of 50 4mm Needles (Flat Tip)	2B Unique Components		
	454.3105	Pack of 50 4mm Needles (Pointed Tip)	7	716.3000	Throttle Lever
32	704.1101	Chisel 1/2" Square 7" Long x 3/4" Blade	9	612.2001	Piston
	704.1103	Chisel 1/2" Square 7" Long x 2 3/4" Blade	13	411.2002	Body
	704.1104	Chisel 1/2" Square 7" Long x Round Nose Blade	17	809.5179	O'Ring
	704.1105	Chisel 1/2" Square 10" Long x 2 1/2" Blade	24	610.2001	Anvil
	704.1106	Chisel 1/2" Square Brick Rake	25	601.2002	Needle Holder 2mm
	704.1107	Chisel 1/2" Square 10" Long x 3/4" Blade		601.2003	Needle Holder 3mm
	704.1110	Chisel 1/2" Square 7" Long Spark Resistant 2" Blade	26	412.1151	6 x Needle Sets 2mm (Flat Tip)
	704.1112	Chisel 1/2" Square 7" Long x Moil Point		413.2119	6 x Needle Sets 3mm (Chisel Tip)
	704.2105	Chisel 1/2" Square 7" Long Cranked x 1 3/8" Blade		413.1119	6 x Needle Sets 3mm (Flat Tip)
				413.3119	6 x Needle Sets 3mm (Pointed Tip)
				403.1319	1 x Needle Set 3mm (Beryllium Copper - Flat Tip)
			27	712.2001	Spring - Compression
			28	416.2032	Intermediate Tube (Includes item 30)
			29	417.2032	Straight Front Tube (Includes item 30)
				418.2032	Round Front Tube (Includes item 30)
	Extras				
	719.1000	3/8" Bore Hose 10 Metre	30	806.0830	Cap Head Screw
	719.3000	3/8" Bore Hose 30 Metre	31	419.2241	Chisel Holder 1/2" Square
	805.0601	6mm Allen Key for Caphead Screws		446.1020	Service Kit (Inc. 9,17,24,25,27 & 1 Set Needles)
	819.2375	Adapter 1/4" BSP to 3/8" Hose Stem			